

1 Overview

The Precisa Data Channelizer for IP and COM makes it possible to connect up to the 50 balances to one PC. The connection can be standard wired Ethernet, wireless Ethernet or standard RS232. For the Ethernet connections you need additional a Precisa Ethernet Box 350-8573 or a Precisa Ethernet Box Wireless 350-8588 for each balance.

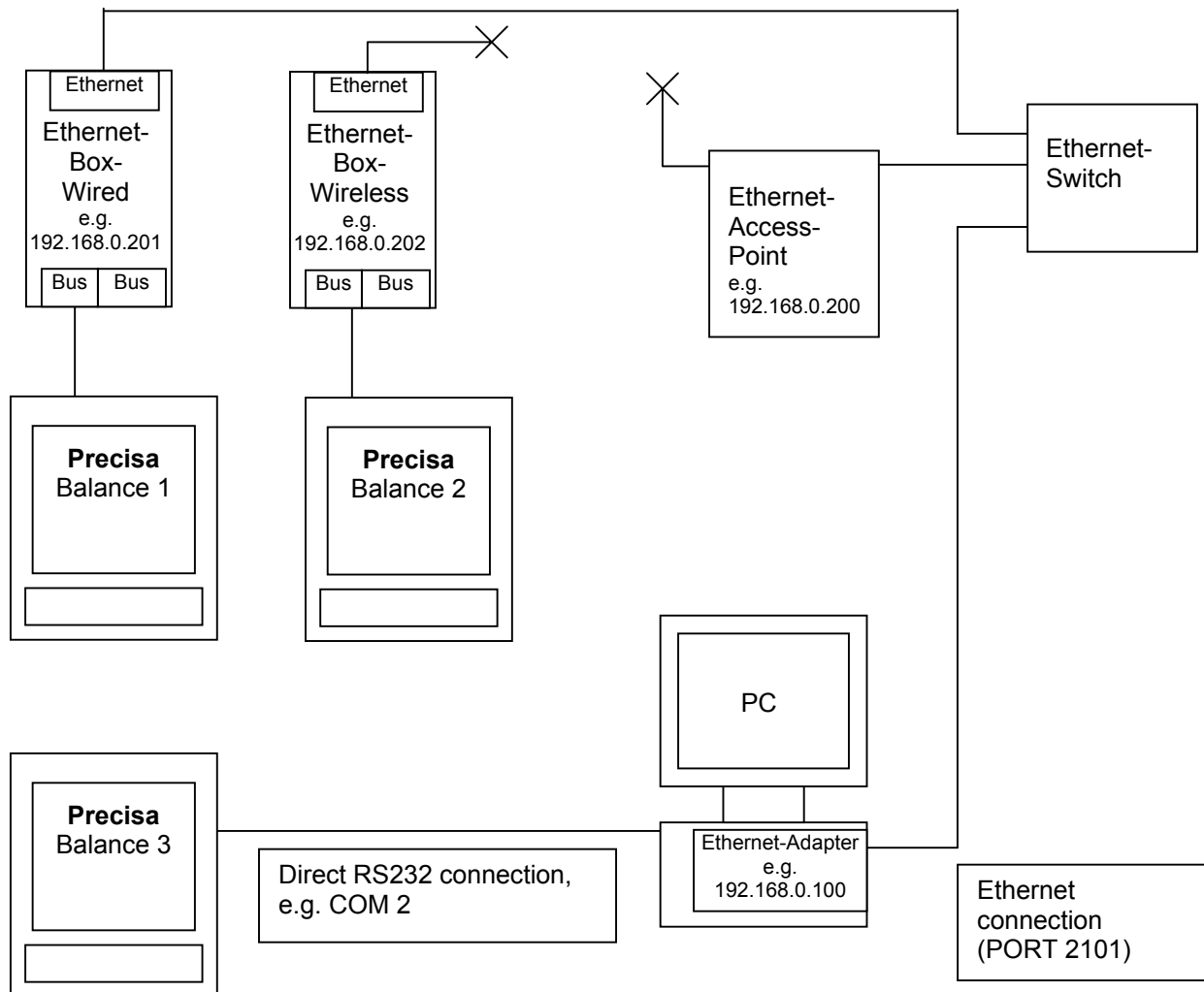
The Precisa Data Channelizer for IP and COM can be setup to request data from the balance automatically. Or alternative it can be setup to receive the data sent from the balance as a reaction of some user manipulation as e.g. pressing the print key on the balance.

Of course you can send also a command to a specific balance or to all the connected balances together at one time.

All the data received for a specific balance is displayed in its own window and can be stored on the hard disk of the PC. There is no limit for the size of the data collected in a window.

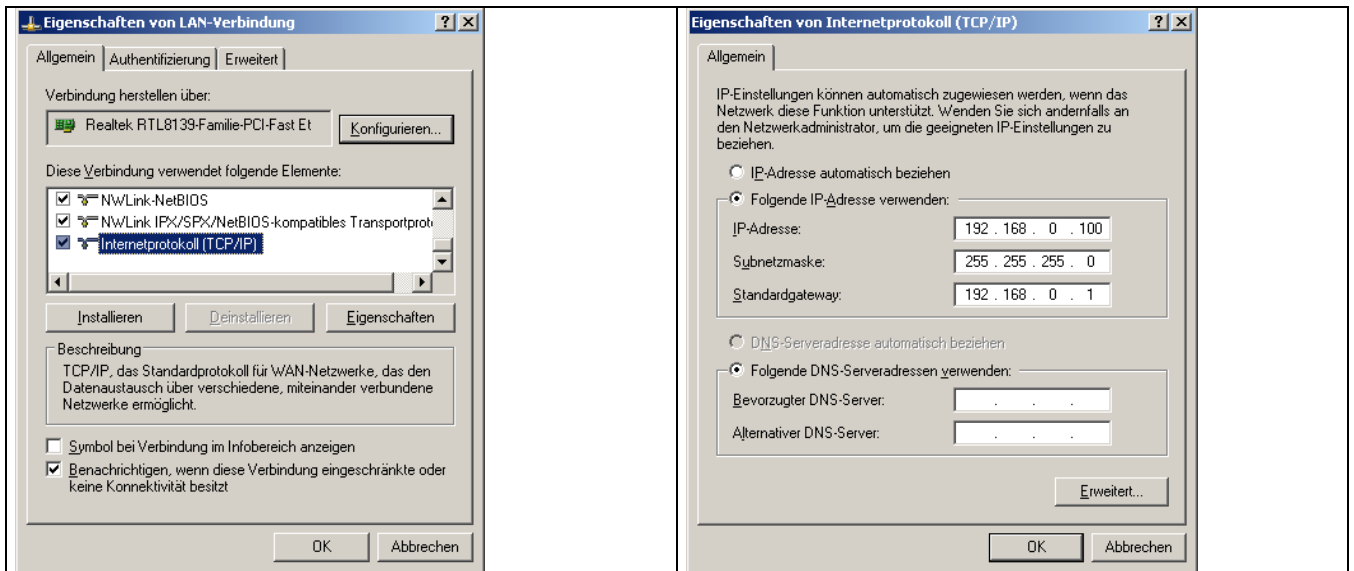
1.1 Network – Connections, Ethernet wired, Ethernet wireless, RS232

The picture below shows the connection of the different parts of the network!



2 IP-Settings of the PC

If your PC is already connected in a network with other computers or devices you need to adjust the IP addresses of the “Ethernet-Boxes” accordingly.



3 Ethernet Box - Configuration

If you like to change the settings of an "Ethernet Box" you can simply enter the corresponding IP address of the "Ethernet-Box" as the URL into your "Internet Browser" (e.g. <http://192.168.0.201>).

**Maybe you are asked to install the "Java Runtime Environment" onto your PC.
For additional support see also the folder "DigiConnectME" on the "Precisa Data Channelizer CD".**

If you cannot access the "Ethernet Box" run the program "DevDscvr.exe" on the "Precisa Data Channelizer CD". This program will show you all connected "Ethernet Boxes" in your network. You need to set the IP address of the "Ethernet-Box" corresponding to your network and PC to have access to the configuration. To access the configuration you will be asked to enter the default Username and Password: root, dbps.

Once you have access to the "Ethernet Box Web Configuration" you will have more information in the HELP of the web interface.

3.1 Setting of the IP address

The IP address of the "Ethernet Box" must correspond to the IP address of your PC where the Precisa Data Channelizer is running. To change the IP address of an "Ethernet Box" you will see a similar screen as below in your "Internet Browser". Enter the new IP settings and reboot the "Ethernet Box".

Remark:

We do not recommend working in the "Obtain automatically using DHCP" mode! Because the "Ethernet Box" is receiving a new IP address from a DHCP server every time when connected to the network. It also needs a DHCP server in the network.

The screenshot shows a Microsoft Internet Explorer browser window displaying the "Digi Connect Wi-ME Configuration and Management" web interface. The address bar shows the URL http://143.11.26.21/config/network/network_config.htm. The page features the Digi Connectware logo and a navigation menu on the left with categories: Configuration (Network, Serial Ports, GPIO, Alarms, System, Remote Management, Users), Management (Serial Ports, Connections), Administration (File Management, Backup/Restore, Update Firmware, Factory Default Settings, System Information, Reboot), and Logout. The main content area is titled "Network Configuration" and includes a "Network Configuration" header. Under "IP Settings", there are two radio button options: "Obtain an IP address automatically using DHCP *" (unselected) and "Use the following IP address:" (selected). Below these are three input fields: "* IP Address:" with the value "192.168.0.201", "* Subnet Mask:" with the value "255.255.255.0", and "Default Gateway:" with the value "192.168.0.1". A note states: "* Changes to DHCP, IP address and Subnet Mask require a reboot to take effect." An "Apply" button is located below the input fields. At the bottom of the IP Settings section, there are several expandable menu items: "Wireless LAN Settings", "Wireless Security Settings", "Wireless 802.1x Authentication Settings", "Network Services Settings", and "Advanced Network Settings".

3.2 Setting of the RS232 parameters

To change the RS232 parameters of an "Ethernet Box" you will see similar screens as below following in your "Internet Browser". Enter the new RS232 parameters.

Remark:

The setting must correspond to the setting in the balance!

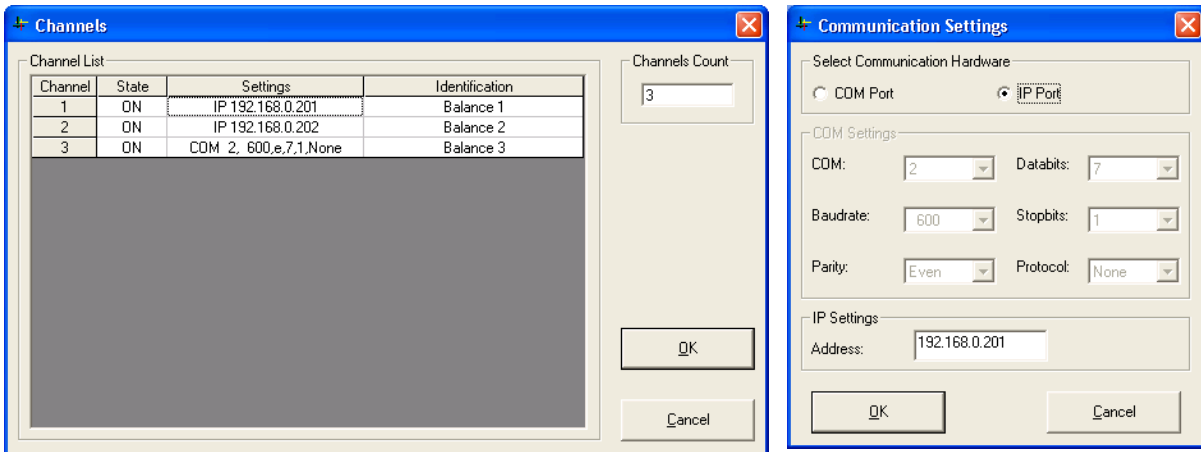
The screenshot displays the 'Digi Connect Wi-ME Configuration and Management' web interface. On the left is a navigation menu with categories: Configuration (Network, Serial Ports, GPIO, Alarms, System, Remote Management, Users), Management (Serial Ports, Connections), and Administration (File Management, Backup/Restore, Update Firmware, Factory Default Settings, System Information, Reboot). The main content area is titled 'Serial Port Configuration' and contains three sections: 'Port Profile Settings', 'Basic Serial Settings', and 'Advanced Serial Settings'. The 'Basic Serial Settings' section is expanded and shows the following fields: Description (text input), Baud Rate (dropdown menu set to 600), Data Bits (dropdown menu set to 7), Parity (dropdown menu set to Even), Stop Bits (dropdown menu set to 1), and Flow Control (dropdown menu set to None). An 'Apply' button is located below these settings. A 'Help' icon is visible in the top right corner of the main content area. At the bottom of the page, a copyright notice reads: 'Copyright © 1996-2005 Digi International, Inc. All rights reserved. www.digi.com'.

4 Data Channelizer - Configuration

4.1 Settings - Channels

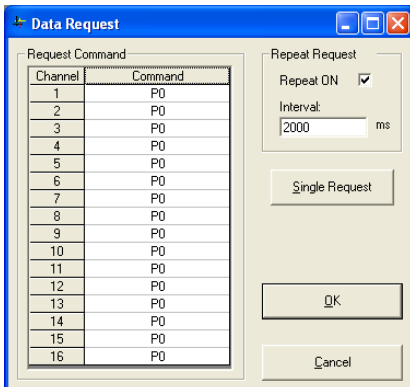
The IP Port or COM Port settings of each channel must be entered into the “Communication Settings” of the “Precisa Data Channelizer”. You will reach this settings in the Menu “Settings - Channels” when you click onto the “Settings” of a channel in the “Channel List”!

The IP address of an “Ethernet-Box” should be written on the label on the backside of each “Ethernet-Box”.



4.2 Settings - Data Request

The “Request Command” for the different balances must be entered into the “Request Command List” of the “Precisa Data Channelizer” in the Menu “Settings – Data Request”! In the “Repeat Request Frame” with “Repeat ON” you can choose to send the commands of the “Request Command List” automatically every “Interval”-time.



4.3 Send – Send Command

In the Menu “Send – Send Command” you can send a command to a specific balance or to all balances together.

